

Flatpack Three-Way Power Divider, 25 - 1000 MHz

DS-323

Features

- Insertion Loss: 0.4 dB Typical Midband
- Isolation: 35 dB Typical Midband
- Input VSWR: 1.2:1 Typical
- Impedance: 50 Ohms Nominal
- Maximum Power Rating or Input Power: 1 Watt Max.
- Internal Load Dissipation: 0.05 Watts Max.
- MIL-STD-202 Screening Available

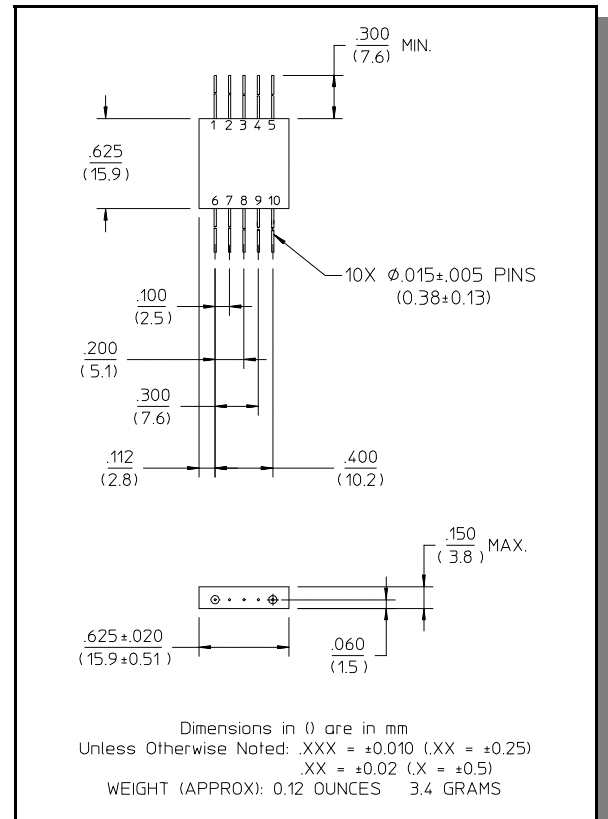
Description

A Power Divider is ideally a loss less reciprocal device which can also perform vector summation of two or more signals and thus is sometimes called a power combiner or summer.

Pin Configuration

| Pin No. | Function | Pin No. | Function |
|---------|----------|---------|----------|
| 1 | GND | 6 | Output |
| 2 | GND | 7 | GND |
| 3 | Input | 8 | Output |
| 4 | GND | 9 | GND |
| 5 | GND | 10 | Output |

FP-3



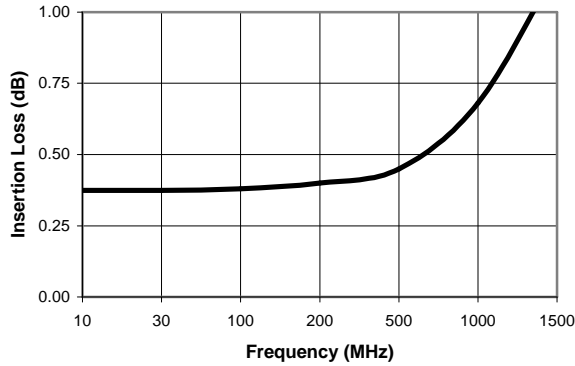
Electrical Specifications¹: T_A = -55°C to +85°C

| Parameter | Test Conditions | Frequency | Units | Min | Typ | Max |
|-------------------|-----------------|----------------|-------|-----|-----|-------|
| Insertion Loss | Less Coupling | 25 - 200 MHz | dB | — | — | 0.5 |
| | | 200 - 1000 MHz | dB | — | — | 1.0 |
| Isolation | — | 25 - 50 MHz | dB | 15 | — | — |
| | | 50 - 200 MHz | dB | 22 | — | — |
| | | 200 - 1000 MHz | dB | 24 | — | — |
| Amplitude Balance | — | 25 - 200 MHz | dB | — | — | 0.25 |
| | | 200 - 1000 MHz | dB | — | — | 0.4 |
| Phase Balance | — | 25 - 200 MHz | ° | — | — | 2 |
| | | 200 - 1000 MHz | ° | — | — | 4 |
| VSWR | Input Output | 25 - 1000 MHz | Ratio | — | — | 1.4:1 |
| | | 25 - 50 MHz | Ratio | — | — | 1.9:1 |
| | | 50 - 200 MHz | Ratio | — | — | 1.7:1 |
| | | 200 - 1000 MHz | Ratio | — | — | 1.5:1 |

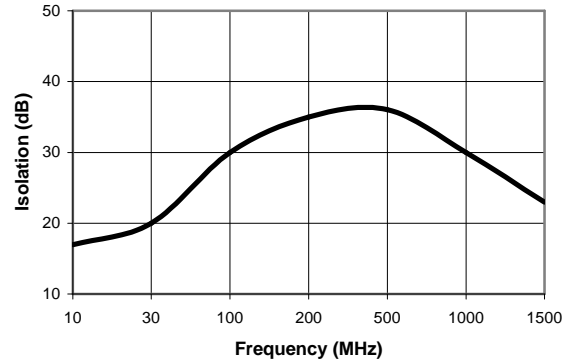
1. All specifications apply with 50 ohm source and load impedance.
This product contains elements protected by United States Patent Number 3,428,920.

Typical Performance Curves

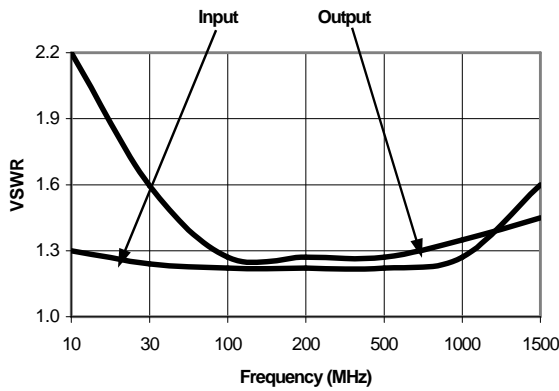
Insertion Loss



Isolation



VSWR



Ordering Information

| Part Number | Package |
|-------------|---------|
| DS-323 PIN | FP-3 |

M/A-COM Inc. and its affiliates reserve the right to make changes to the product(s) or information contained herein without notice. M/A-COM makes no warranty, representation or guarantee regarding the suitability of its products for any particular purpose, nor does M/A-COM assume any liability whatsoever arising out of the use or application of any product(s) or information.

Visit www.macom.com for additional data sheets and product information.

- North America: Tel. (800) 366-2266
- Asia/Pacific: Tel.+81-44-844-8296, Fax +81-44-844-8298
- Europe: Tel. +44 (1344) 869 595, Fax+44 (1344) 300 020